

Thermometer Flowchamber

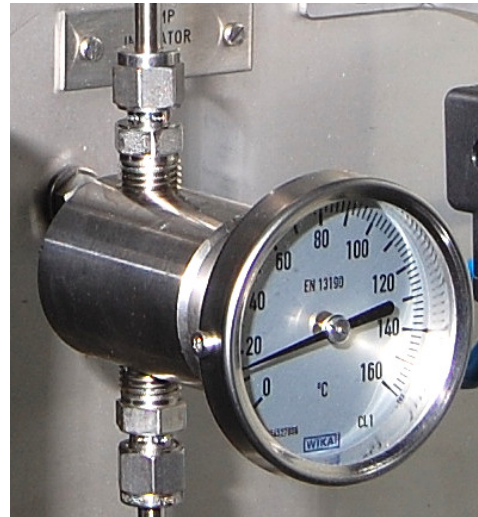
High Pressure Type

General Description

Designed for inline measurements of temperatures in high pressure instrumentation and sampling applications.

Specifications

| | |
|---------------------|----------------------|
| Material | : 316SS (Wst.1.4401) |
| Type | : Drilled bar stock |
| Pressure | : Max. 100 barg |
| Temperature | : Max. 250 °C |
| Process connections | : 1/4" NPTF |



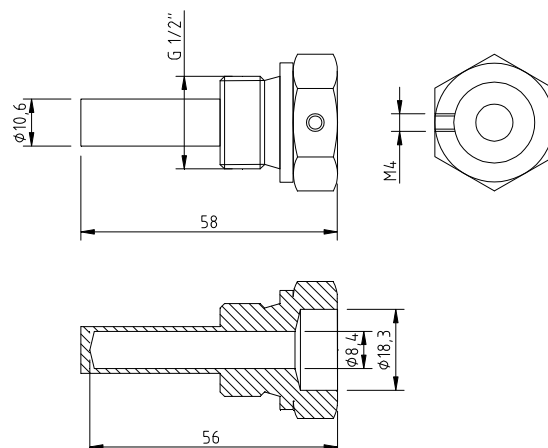
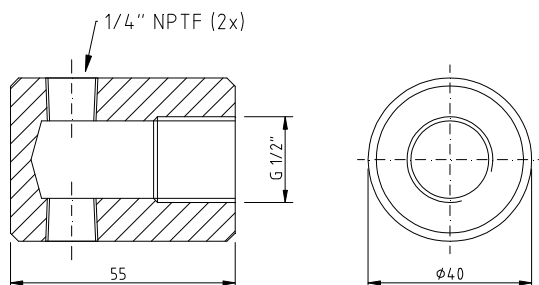
Key Features

- Compact design and small internal volume.
- To accommodate thermowell and bimetal thermometer with stem length of 45 mm.
- 316SS wetted parts.

Other specifications or materials possible, please contact us.

Dimensions

Dimensions are for reference only and are subject to change. Dimensions are in mm.



Ordering code

Flowchamber Art. Number: **4000.0286**

Ordering code

Thermowell Art. Number: **4000.0369**